

IPC-6805E

wall mount industrial chassis



1

Embedded Boards & Industrial Computers

2

Embedded Systems

3

Communications & Network Application Platform

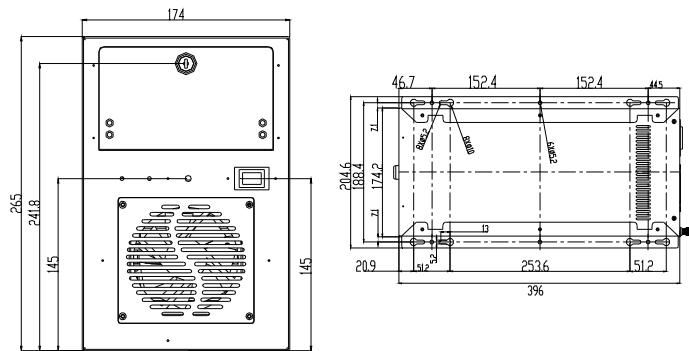
4

Rugged Computers

Features

- Passed 3C certification, excellent EMC performance;
- Flexible mounting method; the product can be used as both wall mount PC or desktop PC;
- Chassis front panel has a safety door, and USB ports are located inside the door, which ensures data and operation security;
- Compatible with FSC, EPI, EPE, Mini ITX motherboards;
- Supports 6-slot standard PICMG 1.0, 5-slot standard PICMG1.3; 4, 5-slot standard EPI 2.0; 4-slot standard EPE carrier boards;
- Drive design with shock absorption, which enhances the anti-shock and anti-vibration performance of the PC.

Dimensions



Specifications

Supported motherboards	FSC, EPI, EPE, Mini ITX motherboards
Supported carrier boards	6-slot standard PICMG 1.0 carrier boards: IPC-6106P4(B), etc. 5-slot standard PICMG 1.3 carrier boards: PCI-6105E2 4-slot standard EPI 2.0 carrier boards: EPI-6106P1 (4 ISA slots, one PCI slot) 4-slot standard EPE carrier boards: EPE-6106E2 (used together with EPE series)
I/O ports	Two front-accessible USB 2.0, ATX rocker switch, reset button, power supply, HDD indicator, safety door with lock.
Operating temperature	0°C ~ 50°C; Humidity 5%~90%(non-condensing)
Storage environment	-20°C ~ 70°C; Humidity 5%~90%(non-condensing)
Power supply	Supports PS2 ATX, PS2 AT power supply, 1U power supply
Others	/
Dimensions (W×H×D)	174mm(W) x 265 mm(H) x 397mm(L)

Ordering Information

Part Number	Model Number	Description
0020-056651	IPC-6805E-EPI	6-slot EPI 2.0 standard bus standard wall mount empty chassis
0020-056661	IPC-6805E-IPC	6-slot PICMG 1.0 standard bus standard wall mount empty chassis
0020-056341	IPC-6805E-EPE-6105E2-ATX300W	5-slot EPE standard bus standard wall mount chassis, used together with EPE-6105E2, ATX300W power supply
0020-056621	IPC-6805E-EPE-6105E2	5-slot EPE standard bus standard wall mount chassis, used together with EPE-6105E2
0020-056631	IPC-6805E-IPC-6106P4-ATX250W	6-slot PICMG 1.0 standard bus standard wall mount chassis, used together with IPC-6106P4 carrier board, 250W power supply
0020-056641	IPC-6805E-IPC-6106P4	6-slot PICMG 1.0 standard bus standard wall mount chassis, used together with IPC-6106P4 carrier board
0020-056671	IPC-6805E-EPI-6106P1-ATX250W	6-slot EPI standard bus standard wall mount chassis, used together with EPI-6106P1, supporting four ISA slots, one PCI slot, 250W power supply
0020-056681	IPC-6805E-EPI-6106P1	6-slot EPI standard bus standard wall mount chassis, used together with EPI-6106P1, supporting four ISA slots, one PCI slot
0020-056351	IPC-6805E-ATX	Standard wall mount chassis, compatible with 1U ATX power supply, supporting MINI ITX motherboards, expandable to one PCI expansion card